



## Product Information Sheet

Reference: \_\_\_\_\_

### 流動數據產品 / Mobility Data Products

牌子 / Brand	OPPO				
型號 / Model	OPPO Wi-Fi 6 Router AX5400				
原產地 / Place of manufacture	中國 China				
主要功能 / Key features	<ul style="list-style-type: none"> <li>• 配備了高通芯片，性能強勁</li> <li>• 風窗型外部結構散熱設計，有助自然風帶走熱量</li> <li>• 最高可以支援 256 台設備同時接入</li> <li>• 4 支高加強天線和 6 個獨立信號放大器</li> <li>• 自研抗干擾演算法</li> <li>• 支持 Easy Mesh</li> </ul> <ul style="list-style-type: none"> <li>• Equipped with Qualcomm's Chipset, The Performance is Powerful.</li> <li>• The Chimney-shaped External Structural Heat Dissipation Design helps Natural Wind to Take Away Heat.</li> <li>• It can support up to 256 Devices to Connect Simultaneously.</li> <li>• 4 High-strength Antennas and 6 Independent Signal Amplifiers.</li> <li>• Self-developed Anti-interference Algorithm.</li> <li>• Supports EasyMesh.</li> </ul>				
數據傳輸/網絡連接制式 Data transfer/network connectivity protocol	802.11 b/g/n/a/ac/ax 2.4GHz Wi-Fi 2x2 MU-MIMO 5GHz Wi-Fi 4x4 MU-MIMO				
配套 / Packaging List	1 x 主機 / Wireless Gateway 1 x 電源適配器 / Power supply adapter 1 x 快速指南 / Quick Start Guide 1 x 網絡線 / Ethernet cable 1 x 保修卡 / Warranty Card				
產品價格 / Price	請參照銷售備忘錄/發票 As per Sales Memo/Invoice				
附加費 / Additional Delivery Charge	指定地區/地址(如離島)有可能需付額外送貨附加費 Additional delivery charge may be added for specific area/ location (e.g. outlying island)				
保修人身份 / Identity of repair service provider	新境科技有限公司 Newlands Technology Ltd.				
保修地址 / Repair service address	<u>OPPO 客戶服務中心</u> 地址: 九龍牛頭角鴻圖道 1 號 903 室 熱線電話: 38967699 服務時間: 星期一至五 1000-1900, 星期六 1000-1400 星期日及公眾假期休息 <u>OPPO Service Center</u> Address: Flat 03, 9/F, No.1 Hung To Road, Kwun Tong, Kowloon, Hong Kong. Tel.: (852) 3896 7699 Business Hours: Mon-Fri: 10:00 –19:00; Sat: 10:00 –14:00 Sun & PH: Closed website: <a href="http://www.oppo.com/hk/">www.oppo.com/hk/</a>				
換貨政策 / Exchange policy	你可於銷售單日期起計 14 天之內攜同流動通訊設備到我們的門市更換一次，詳情請參閱銷售單之條款及細則。 You may exchange the Mobile Equipment once within 14 days of the date of Sales Memo by returning the Mobile Equipment to our shops. Please refer to the terms and conditions on the Sales Memo for details. 如以速遞送貨，HUAWEI 手機將會於運送前預先被打開包裝及啟動。你應於當場檢查機身有否損壞。如有損壞，你必須即時通知送貨職員，否則不能更換。 If HUAWEI handset is delivered to you by courier, the packaging will be opened and the tablet will be activated before delivery. You must check immediately if there is any damage to the handset and inform the courier staff of any damage, otherwise the handset cannot be exchanged or returned.				
保修期 Warranty period	<table border="1"> <tr> <td>主機 / Main Unit</td> <td>12 個月 12 months</td> </tr> <tr> <td>配件 / Accessory</td> <td>電源適配器: 6 個月 Power supply adapter: 6 months</td> </tr> </table>	主機 / Main Unit	12 個月 12 months	配件 / Accessory	電源適配器: 6 個月 Power supply adapter: 6 months
主機 / Main Unit	12 個月 12 months				
配件 / Accessory	電源適配器: 6 個月 Power supply adapter: 6 months				

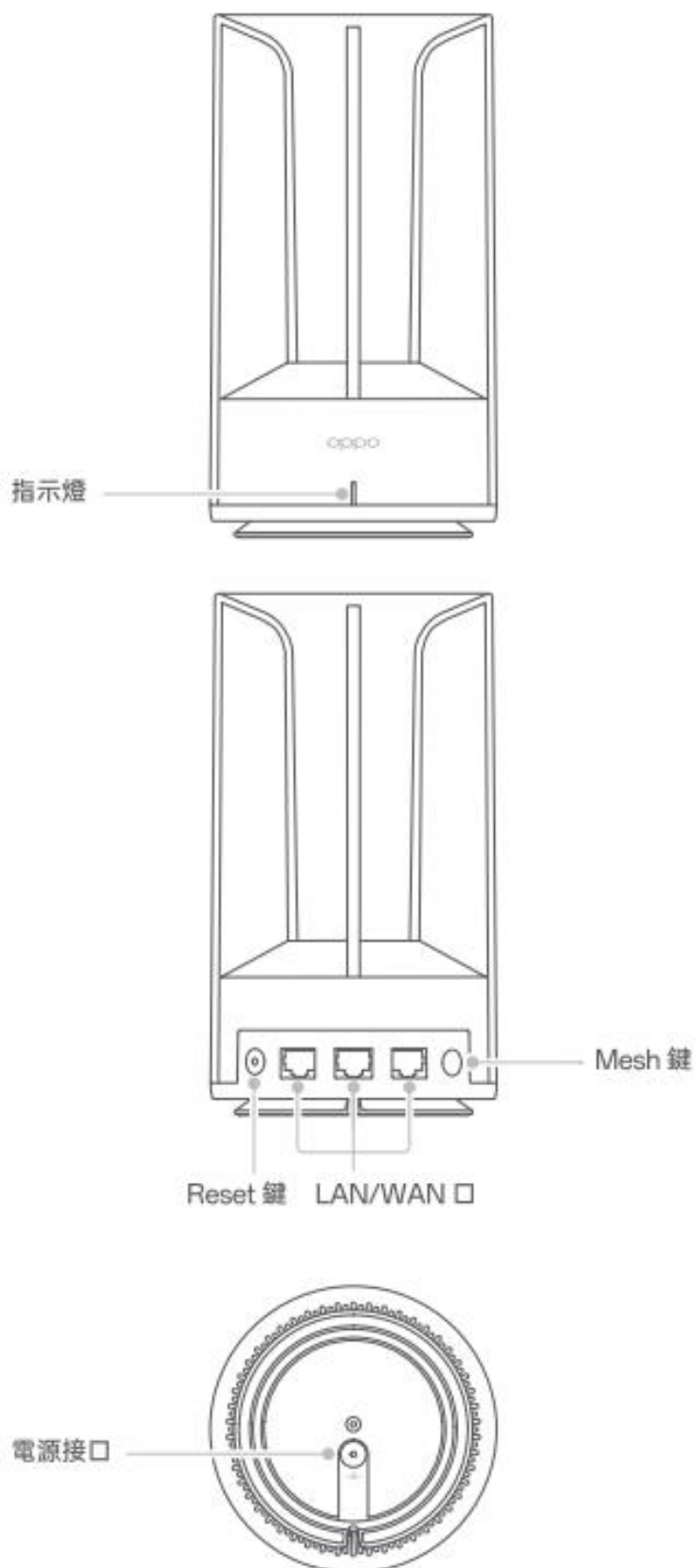
上述產品資料摘錄自生產商/供應商文獻及/或由生產商/供應商所提供之資料

The above information is extracted from literature and / or information on this product by manufacturer / supplier

Hong Kong Telecommunications (HKT) Limited / CSL Mobile Limited 香港移動通訊有限公司

查詢熱線 Enquiry hotline: 2512 3123 <http://hkcsl.com>

## 概覽

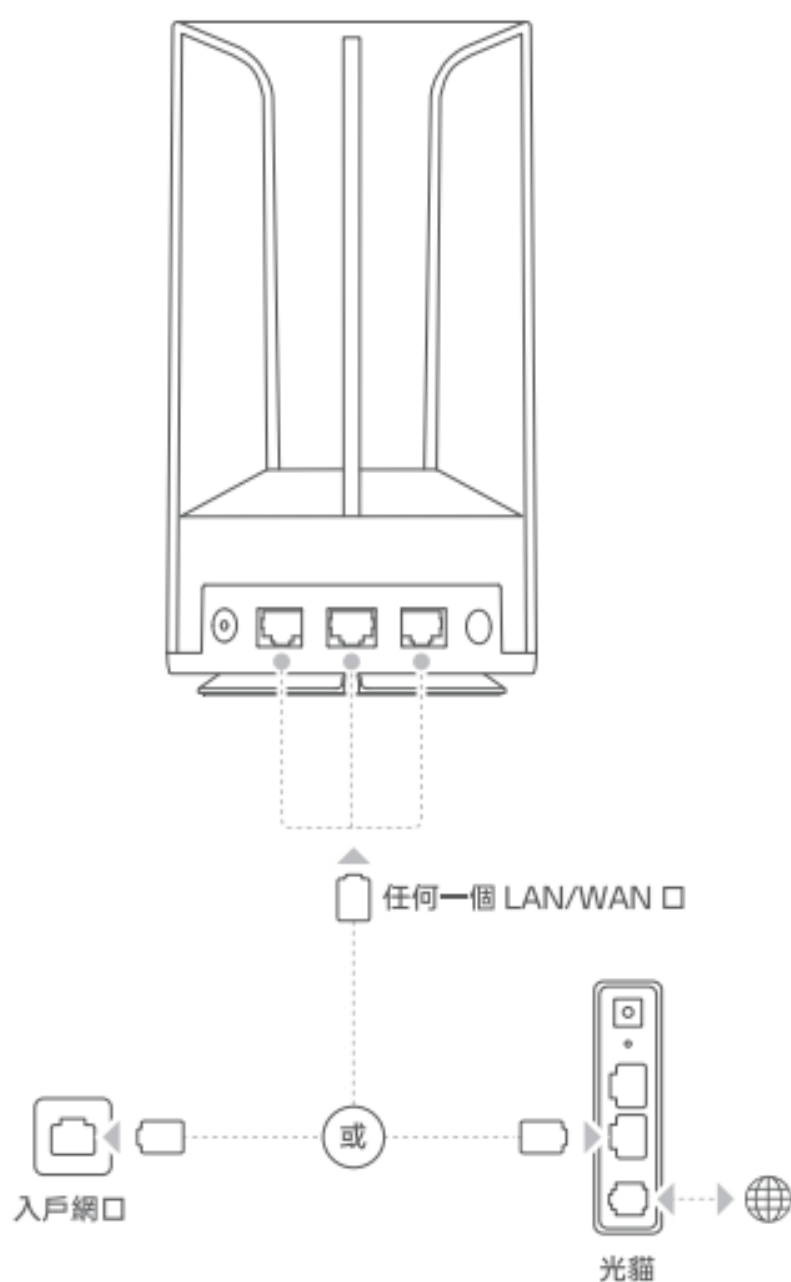


## 配置上網

### 1. 連接線路

將路由器連接電源，使用網線連接路由器的 LAN/WAN 口與入戶網口或光貓 LAN 口。

\* 光貓由寬頻電訊商提供；如果電訊商沒有提供光貓，則一般情況下直接將入戶網線連接到路由器的 LAN/WAN 口即可。



## 配置上網

### 2. 設定上網

- 1 手機連接至路由器 Wi-Fi（預設無密碼），請檢視路由器底部銘牌以取得 Wi-Fi 名稱。
- 2 根據手機上自動彈出的開機導引完成配置。

場景一：自動取得 IP（您的網絡配置無需輸入寬頻帳號和密碼）。

場景二：登入寬頻帳號上網（需要輸入您的寬頻帳號和密碼）。

\*如忘記寬頻帳號密碼，請聯絡您的寬頻電訊商取得。

## 更多設定

### 1. 下載 OPPO Connect App

手機掃描二維碼，或者在應用商店搜尋「OPPO Connect」，下載並安裝 App。若已安裝 OPPO Connect App，請確保 App 為最新版本。

\*系統要求：Android 8.0 或 iOS 13.0 及以上版本。



OPPO Connect

### 2. 新增裝置至 OPPO Connect App

- 1 開啟 OPPO Connect App，點擊首頁「新增裝置」。
- 2 根據頁面導向搜尋並新增您的路由器。

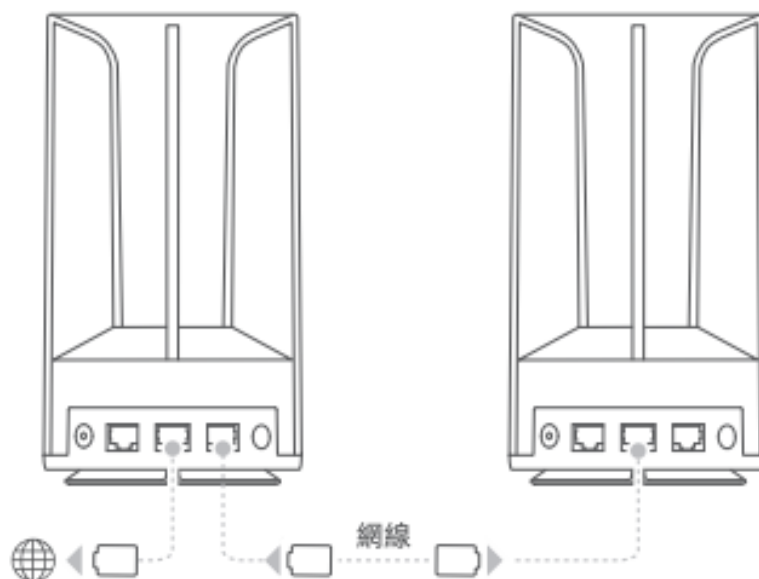
### 3. 設定更多

可在 App 中完成，或登入 [oppowifi.com](http://oppowifi.com) 進行設定。

## Mesh 網絡組建

### 方法二：有線 Mesh 網絡組建

重複方法一的 ① 和 ②，使用網線將主路由器的 LAN/WAN 口和子路由器的 LAN/WAN 口連接，長按主路由器背面 Mesh 鍵 3 秒，此時主路由器指示燈為黃色快閃，即進入了組網狀態，開始有線 Mesh 網絡組建。



### 方法三：登入 App 或 Web 管理頁面進行 Mesh 網絡組建

重複方法一的 ① 和 ②，開啟 OPPO Connect App 登入 oppowifi.com，根據頁面提示完成 Mesh 網絡組建。

## 還原出廠設定

長按 Reset 鍵 3 秒後放手，指示燈快閃 3 次後，路由器將自動重新啟動，還原至出廠設定。

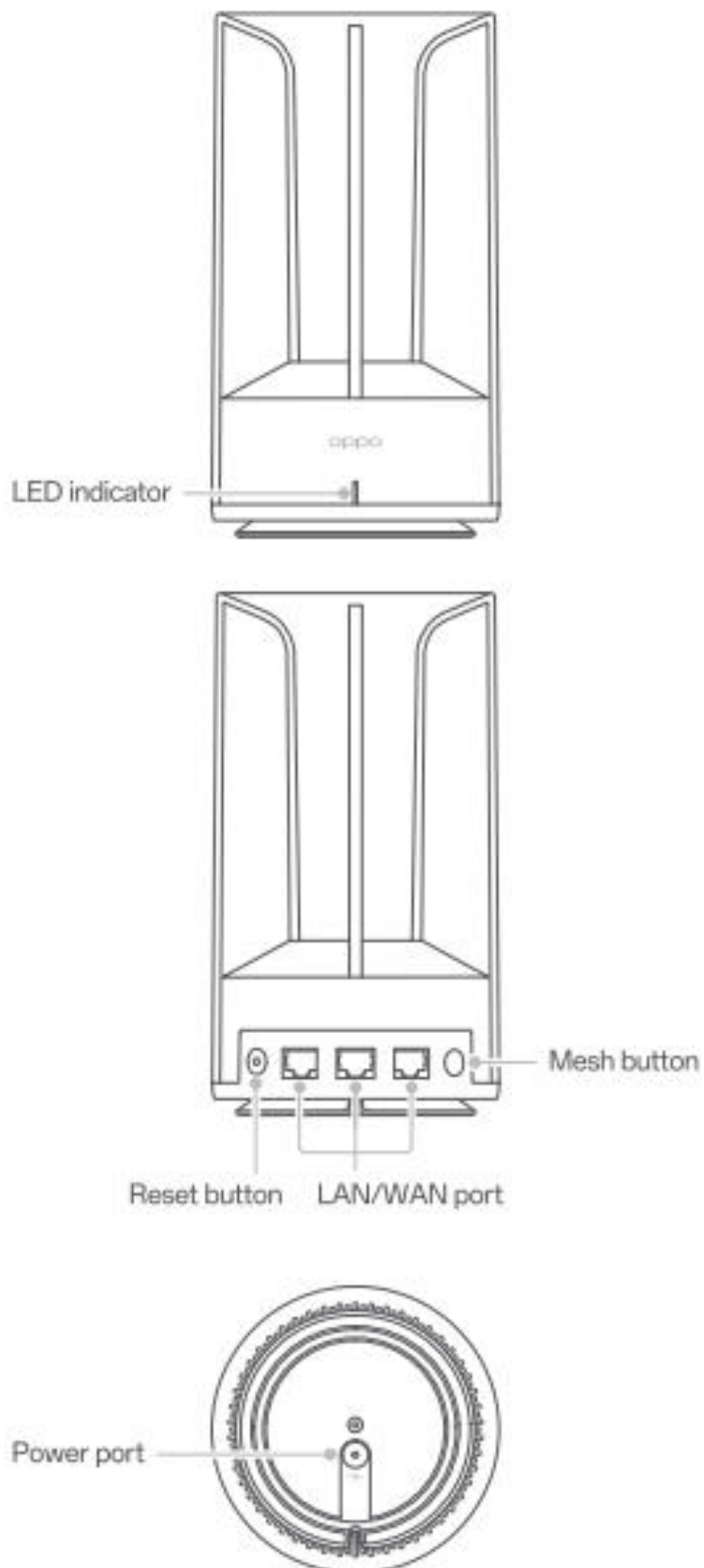
## LED Indicator



## 指示燈

指示燈	狀態說明
白色常亮	網絡正常
白色閃爍	慢閃 3 次：啟動完成 快閃 3 次：還原出廠設定
熄滅	路由器未啟動
紅色長亮	裝置未連接到網絡
紅色閃爍	Mesh 網絡組建失敗
黃色閃爍	慢閃：WPS 網絡組建中 快閃：Mesh 網絡組建中

## Overview

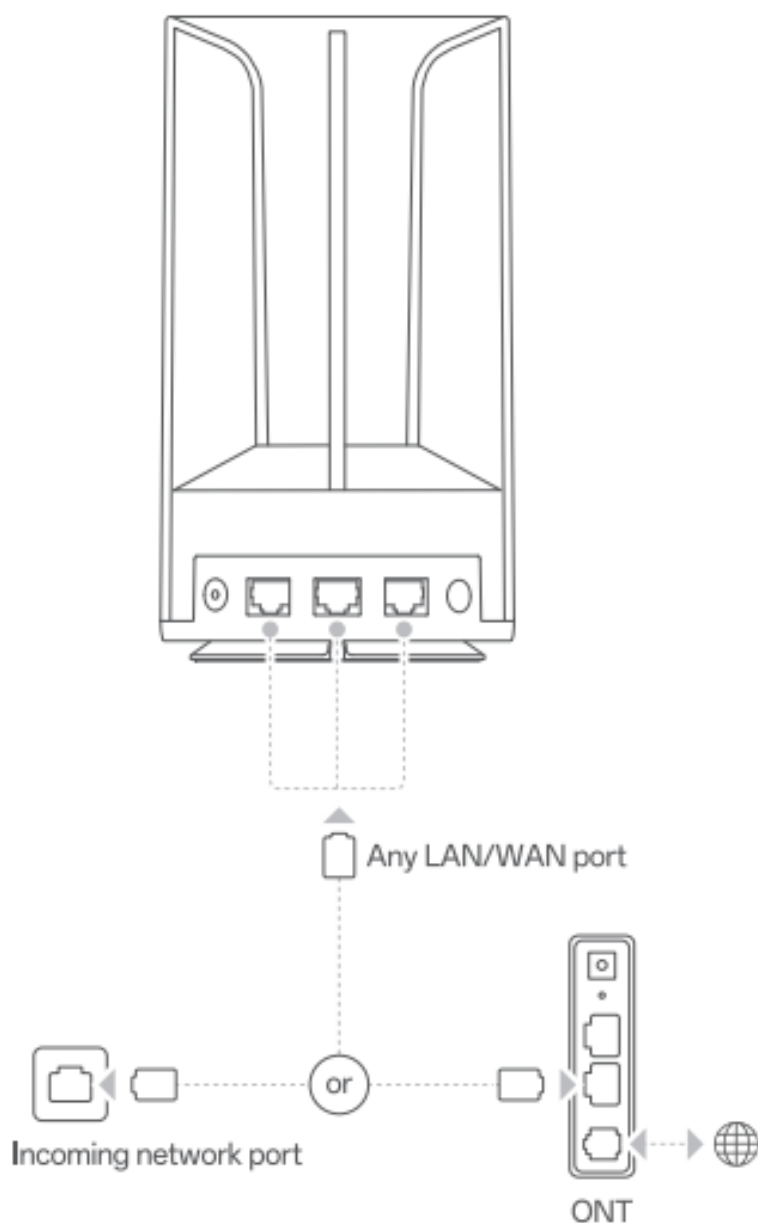


## Network Configuration

### 1. Connect Cables

Connect the router to a power supply and use a network cable to connect any WAN/LAN port of the router to the incoming network port or the LAN port of the Optical Network Terminal (ONT).

\* The ONT is provided by the broadband provider. If the broadband provider does not provide an ONT, you should be able to connect the incoming network cable directly to any WAN/LAN port of the router in most cases.







## Network Configuration

### 2. Set up the Network

1 Connect your phone to the router Wi-Fi (there is no password by default). Check the sticker on the bottom of the router for the Wi-Fi name.

2 Complete the configuration according to the guide that appears on the phone screen.

Scenario 1: Automatic IP acquisition (your network configuration does not require you to enter your broadband account and password).

Scenario 2: Log in to your broadband account to access the internet (you need to enter your broadband account and password).

\* If you have forgotten your broadband account or password, please contact your broadband service provider.

## More

### 1. Download the OPPO Connect App

Download and install **OPPO Connect** by scanning the QR code below or visiting your phone's app store. If you have already installed **OPPO Connect**, please make sure you have the latest version.

\* System requirements: Android 8.0 or later; iOS 13.0 or later.



OPPO Connect

### 2. Add the Device to OPPO Connect

- 1 Open **OPPO Connect**, then tap **Add Device**.
- 2 Follow the wizard to search for and add your router.

### 3. More Settings

More settings are available in the app or by visiting [oppowifi.com](http://oppowifi.com).

## Mesh Networking

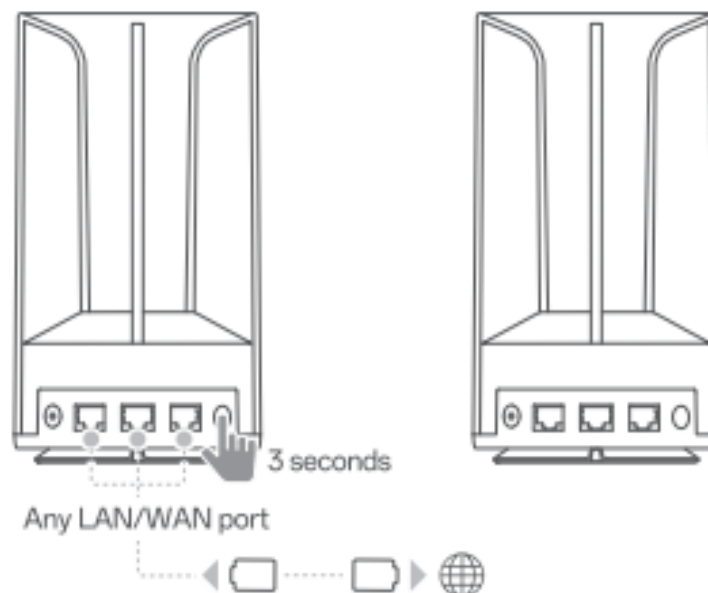
For users who need Wi-Fi coverage for larger spaces, we recommend purchasing multiple OPPO Wi-Fi 6 Routers. Then follow the steps below to connect them in a mesh network.

### Method 1: Wireless Mesh Networking

- 1 Use an OPPO Wi-Fi 6 Router as the primary router to complete the network configuration. The LED indicator displays a solid white light.
- 2 Place another OPPO Wi-Fi 6 Router as a secondary router\* near the primary router. Maintain a distance of at least 1 meter between the two routers to prevent the routers interfering with each other. Turn on the secondary router and wait for it to finish powering on. The LED indicator will blink white three times and then display a solid red light.

\* The secondary router must be in a factory state. If the secondary router has been configured, please press and hold its Reset button for more than 3 seconds, and then try again after completing the reset.

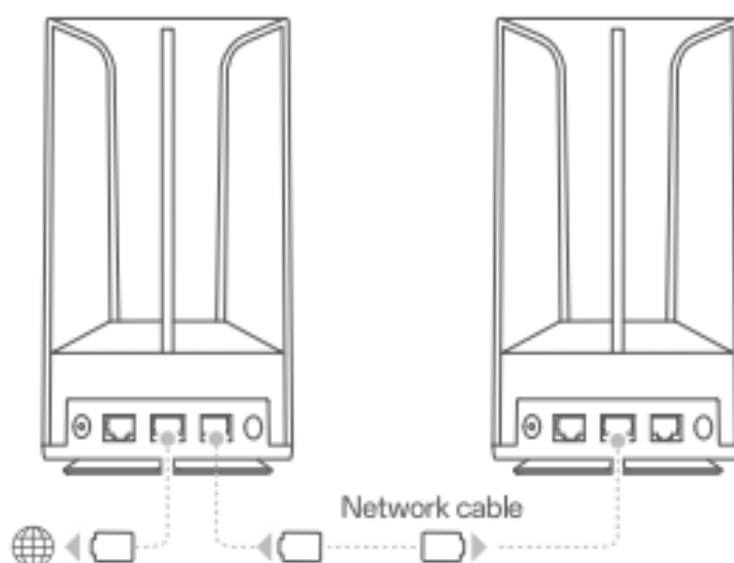
- 3 Press and hold the Mesh button on the back of the primary router for 3 seconds. When the LED indicator of the primary router starts to blink yellow, it indicates mesh networking has begun. If the LED indicators of the primary router and the secondary router turn solid white, mesh networking is successful. If the LED indicator of the primary router is blinking red, and the LED indicator of the secondary router is solid red, mesh networking has failed.



## Mesh Networking

### Method 2: Wired Mesh Networking

Repeat ❶ and ❷ in Method 1. Connect the LAN/WAN port of the primary router and the LAN/WAN port of the secondary router with a network cable, then press and hold the Mesh button on the back of the main router for 3 seconds. The LED indicator of the primary router will blink yellow, and wired mesh networking will start.



### Method 3: Log in to App or Web Admin Page to Set Up a Mesh Network

Repeat ❶ and ❷ in Method 1 and open **OPPO Connect** or log in to [oppowifi.com](http://oppowifi.com) and follow the instructions to set up the mesh network.

## Restore Factory Settings

Press and hold the Reset button for 3 seconds. The LED indicator will blink 3 times and the router will automatically reboot and factory settings will be restored.

## LED Indicator



LED indicator	Explanation
Solid white	Network is normal
Blinking white	Blinks slowly 3 times: Startup completed Blinks rapidly 3 times: Restored to factory settings
Indicator is off	The router is not turned on
Solid red	Device not connected to network
Blinking red	Mesh networking failed
Blinking yellow	Blinking slowly: WPS networking Blinking rapidly: Mesh networking